



INDOOR USE
COLORBOND® CLADDING



OUTDOOR USE
RIPSTOP VINYL CLADDING

BUFFER TANKS MILD & STAINLESS STEEL

Installing Simons Boiler buffer tanks as part of any HVAC system, large or small, has many advantages.

By increasing the systems fluid volume, Simons Boiler buffer tanks ensure a stabilized fluid temperature and greatly reduces the need for boiler/chiller short cycling. This not only gives you a more consistent reliable service, but may also extend the life of your boiler/chiller equipment.

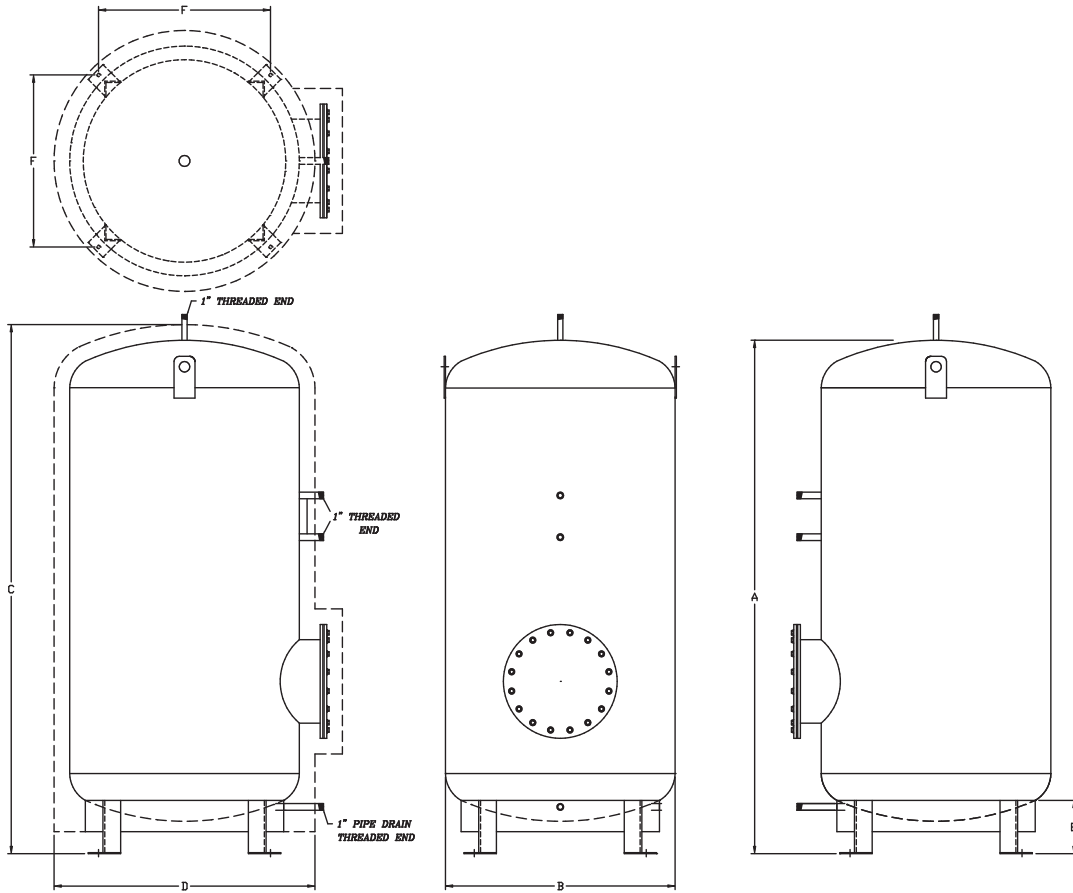
Simons Boiler buffer tanks increase the efficiency by allowing plant equipment to run within ideal parameters. HVAC systems with buffer tanks fitted can provide ongoing energy savings as well as reduced maintenance costs.

FEATURES

- Available in either Mild Steel (SBM) or Stainless Steel (SBS).
- Supplied as bare tank or thermally insulated with ripstop vinyl wrap, for indoor use, or colourbond clad, for outdoor use.
- Flexible choice of flange size and location.
- Standard Capacity - 250L to 40,000L
- Mild Steel = 750 kPa Std. operating pressure.
- Stainless Steel = 600 kPa Std. operating pressure.
- Stainless Steel upgrade to 304, 316 and Duplex 2205 available upon request
- Optional higher operating pressures available
- Horizontal configuration available upon request

ADVANTAGES

- Flow and return position to be nominated at time of order.
- Alternative and additional flanges available on request.
- Removable inspection cover.
- Internal distribution plate.
- 60mm polyurethane insulation and foil faced vapour seal for chilled water. (min R2.5)
- Ripstop UV resistant zip on vinyl cover (indoor only).
- Colorbond metal cladding for indoor or outdoor.



NB. The drawing above represent a typical mild steel buffer tank over 1000L capacity.



* Specifications subject to change with out notice. Warranty conditional on verified maintenance

Australian family owned Company since 1932 Sold in over 30 countries around the world



DISTRIBUTED BY

SYDNEY Head Office

Unit 1, 33 Maddox Street
Alexandria NSW 2015
Australia
Phone: 61 2 8338 8660
Fax: 61 2 8338 8661
Email: info@simonsboiler.com.au

MELBOURNE

144 Colchester Road,
Bayswater North, VIC 3153
Australia
Phone: 61 3 9462 6700